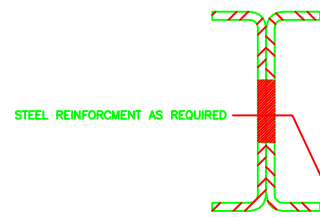
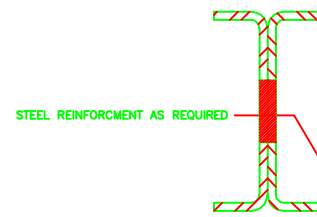


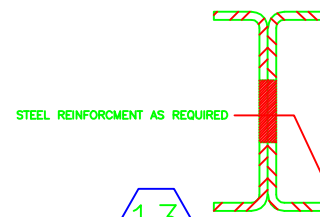
PLEASE REFERENCE THE APPROPRIATE
NOA/TEST REPORT/CALCULATIONS
AS REQUIRED PER PROJECT SPECIFICATIONS
6" DEEP LARGE MISSILE IMPACT



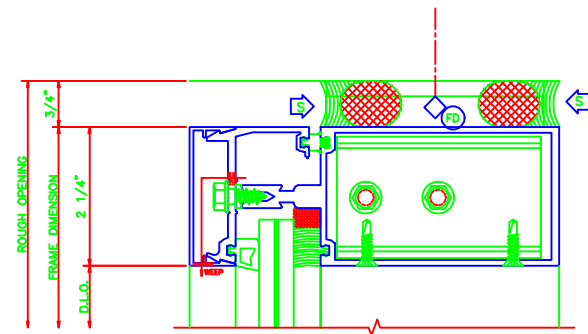
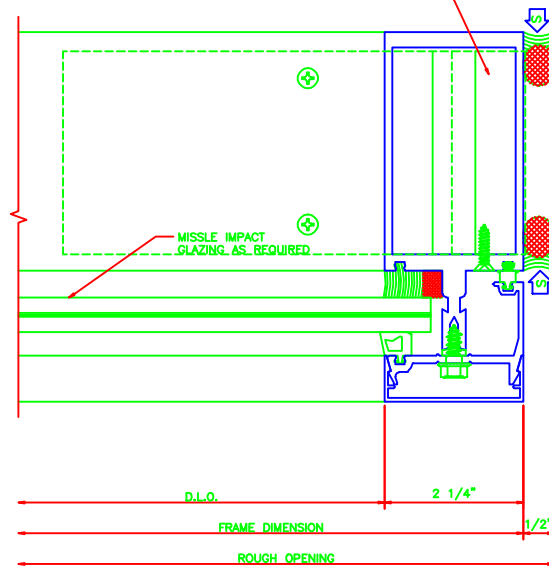
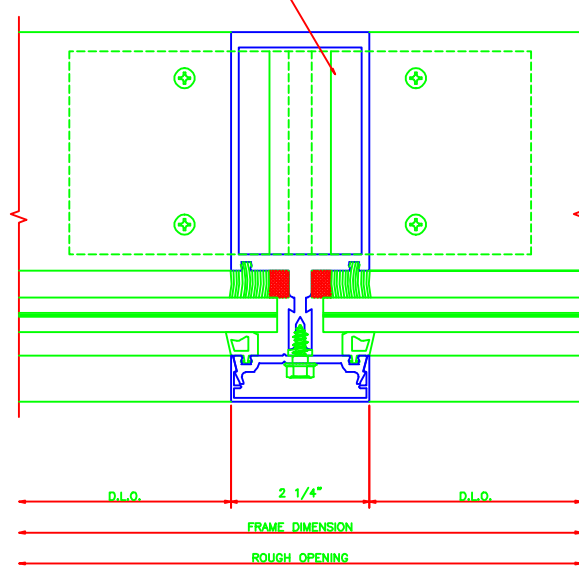
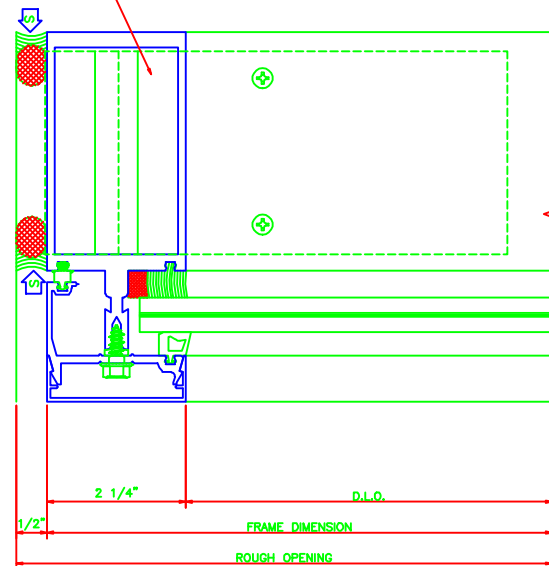
11



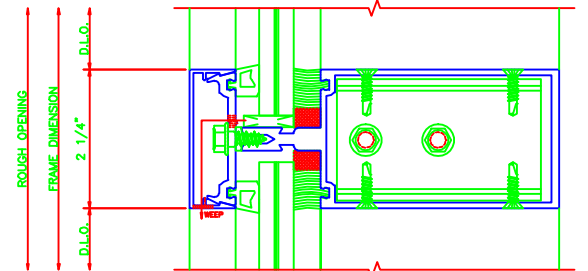
12



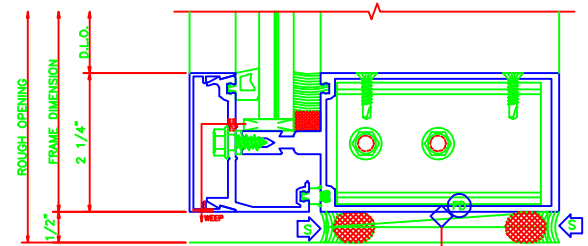
13



8



9



10